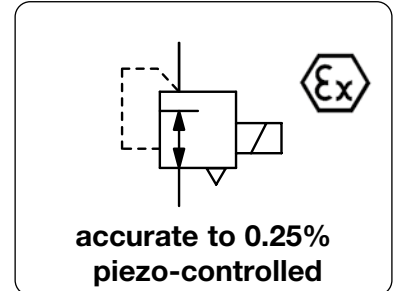


PROPORTIONAL PRESSURE REGULATOR WITH PIEZO ELEMENT AND ELECTRICAL FEEDBACK PT7

Description	The proportional pressure regulator translates a direct current or voltage signal into a linear proportional pneumatic outlet signal. With rapid response controls using low-powered piezo microelectronics, flapper nozzle and solid state control circuit. The proportional pressure regulator has internal electronic with an electrical feedback sensor and is housed in NEMA4X (IP65) enclosure with six outlet ranges, jumper selectable. Input and outlet ports on both ends of the body simplify pneumatic piping.	
Media	5 µm filtered compressed air or non-corrosive gases	
Supply voltage	7...30 V DC, 90 mW, required for 0...10 V setpoint input only, with reverse voltage protection	
Electrical connector	plug according to DIN 43650A, contact gap 18 mm, 3-pin, with coupling socket 30 x 30 mm	
Command signal	0...10 V / 10 kΩ, 3-pin, 24 V DC supply voltage, 4...20 mA / 330 Ω, two-wire, min. 7 V DC on input	
Failsafe	exhaust at power breakdown	
Linearity	< 0.25% FS	
Hysteresis	< 0.1% FS at 0.2...0.5 bar, otherwise < 0.25% FS	
Adjustment	Zero point: by 0.3 bar Range: 40% FS	
Temperature range	-40 °C to 70 °C / -40 °F to 158 °F	
Material	Body: chromated aluminium Nozzle: sapphire in nickel-plated brass plate Response sensitivity < 0.2% FS Repeatability < 0.1% FS Vibration sensitivity < 1% FS, for 10 g and 15...500 Hz Mounting position any Protection class IP 65 Elastomer: NBR/Buna-N Inner valve: stainless steel, brass, zinc-plated steel	

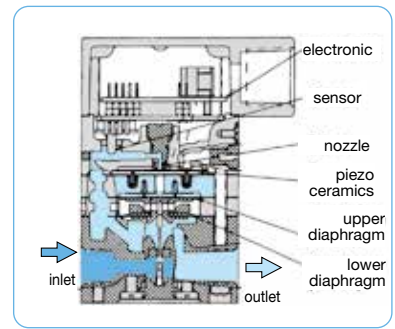


Dimensions			Flow rate	Supply pressure	Command signal	Pressure range	Order number
A	B	C	l/min*1	max. bar	V/mA	bar	
mm	mm	mm					E*

Proportional pressure regulator 0-10 V			¼" NPT, air consumption 2...8 l/min subject to pressure range		PT780		
57	95	13	250	8	0-10 V	0.2...1 0.2...2	PT780-B100 PT780-B200
57	133	13	300	10	0-10 V	0...2 0...4 0...8	PT780-0200 PT780-0400 PT780-0800



Proportional pressure regulator 4-20 mA			¼" NPT, air consumption 2...8 l/min subject to pressure range		PT782		
57	95	13	250	8	4-20 mA	0.2...1 0.2...2	PT782-B100 PT782-B200
57	133	13	300	10	4-20 mA	0...2 0...4 0...8	PT782-0200 PT782-0400 PT782-0800

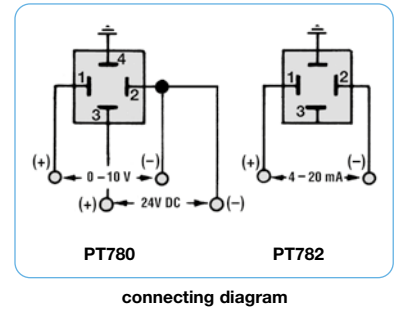
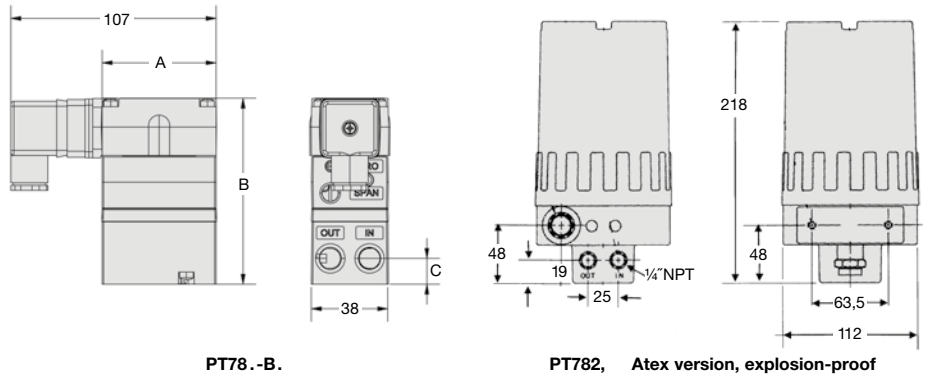
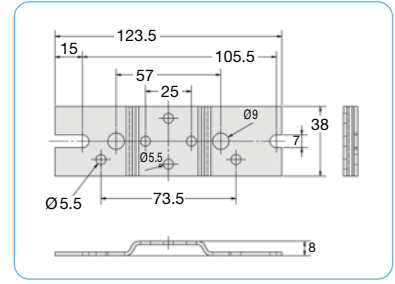


Special options, change the appropriate number

-i-Atex	Atex II 1G Ex ia IIB T4	4-20 mA only	PT782-...01
-d-Atex	Atex ds IIC T6	max. 2 bar	4-20 mA only PT782-...0E

Accessories, enclosed

mounting bracket	made of steel, for standard version	SA-PT1
	made of steel, for DIN rail	SA-PT2
mounting clip	made of steel, Atex version, explosion-proof	SA-PT3
isolate transmitter	Ex ia II C E/A: 0...20 mA, 24 V DC, EX 1-32	KFD2-CD



*1 at 7 bar supply pressure and 1.4 bar outlet pressure

* Product group

